

SOAP DISH & SHAMPOO HOLDERS

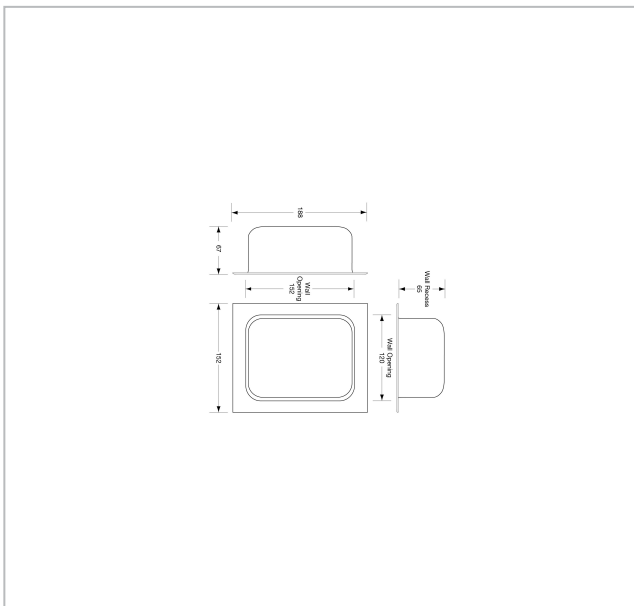


ML237_1 Recessed Heavy Duty Soap Holder

SPECIFICATIONS

Material	#304 Stainless Steel
Finish	Satin Stainless Steel
Mounting	Recess Mount Concealed Fix
Overall Size	188mmW x 152mmH x 63mmD
Wall Opening	148mmW x 112mmH x 65mmD
Note	* This unit is accessible compliant when installed in accordance with AS1428.1. guidelines.
Related Video	Stainless Steel Cleaning & Maintenance

SUITABLE APPLICATIONS



The photographs and line drawings of the products presented above are representational only. Metlam Australia Pty Ltd reserves the right to, and from time to time, make changes and improvements in design and dimensions.